

PRO MAKER®




WARRANTY SYSTEM
PX2

WARRANTY X2 YEARS
FREE SERVICE X2 YEARS
TRIAL PERIOD X2 MONTHS

High Pressure Washer
User's Manual
Model No.: PRO-H1400

IMPORTANT SAFETY INSTRUCTIONS

SAVE THESE INSTRUCTIONS

 Please read and comply with these original instructions prior to the initial operation of your appliance and store them for later use or subsequent owners.

Apart from the notes contained herein the general safety provisions and rules for the prevention of accidents of the legislator must be observed.

Warnings and notes that are attached on the appliance provide important notes for the safe operation.

Hazard levels

DANGER

Pointer to immediate danger, if not avoided, which leads to severe injuries or death.

WARNING

Pointer to a possibly dangerous situation, if not avoided, which can lead to severe injuries or death.

CAUTION

Pointer to a possibly dangerous situation, if not avoided, which can lead to minor injuries.

ATTENTION

Pointer to a possibly dangerous situation, which can lead to property damage.

Electric components

DANGER

Risk of electric shock.

Never touch the mains plug and the socket with wet hands.

Check the power cord with mains Plug for damage prior to every use. Do not use the machine if a supply cord or important parts of the machine are damaged, e.g. safety devices, high pressure hoses, trigger gun.

All current-conducting parts in the working area must be protected against jet water.

The mains plug and the coupling of an extension cable must be watertight and must never lie in water. Moreover, the coupling may never lie on the ground. The use of cable reels that ensure that the sockets are at least 60 mm above the ground is commended.

Make sure that the power cord or extension cable is not damaged by running over, pinching, dragging or the like. Protect the power cords from heat, oil, and sharp edges.

Always switch off the mains disconnecting switch when leaving the appliance unattended.

 **WARNING**

The appliance may only be connected to an electric supply that has been installed by an electrician in accordance with IEC 60364.

The appliance may only be connected to alternate current. The voltage must correspond with the type plate of the appliance.

For safety reasons, we recommend that you operate the appliance only via a residual current device (max. 30mA).

An unsuitable electrical extension cable can be hazardous. Only use an electrical extension cable which has been approved and labeled for this purpose and has an adequate cable cross-section outdoors: 1 - 10 m: 1.5 mm²; 10 - 30 m: 2.5 mm²

Always fully unreel the extension cable from the cable drum.

An unsuitable electrical extension cable can be hazardous.

Safe handling

DANGER

The user must be the appliance as intended. The person must consider the local conditions and must pay attention to other persons in the vicinity when working with the appliance.

Check important components, such as high pressure hose, hand spray gun and safety installations, for damage prior to every operation. Immediately replace damaged components. Do not operate appliance with damaged components.

The appliance has been designed for use with the cleaning agent supplied or recommended by the manufacturer. The use of the other cleaning agents or chemicals may adversely affect the safety of the appliance.

High-pressure jets can be dangerous if subject to misuse. The jet must not be directed at persons, live electrical equipment or the machine itself.

Do not direct the jet against yourself or others in order to clean clothes or foot-wear.

Do not use the appliance within range of persons unless they wear protective clothing.

Wear appropriate Personnel Protection Equipment (PPE) while operating the appliance.

Do not direct the jet against yourself or others in order to clean clothes or foot-wear.

WARNING

The appliance must not be operated by children or untrained personnel.

This appliance is not intended for use by persons(including children) with reduced physical, sensory or mental capacities, or lacking experience and knowledge.

Children must not play with this appliance.

Supervise children to prevent them from playing with the appliance.

Create stability for the appliance prior to any work on or with the appliance to prevent accidents damage.

The water jet that is emitted from the high pressure nozzle results in a repulsion power acting on the hand spray gun. Make sure that you have a firm footing and are also holding the hand spray gun and spray lance firmly.

Never leave the appliance unattended as long as it is in operation.

ATTENTION

In case of extended breaks, switch the appliance off at the main switch or pull the mains plug.

Do not operate the appliance at temperatures below 0°C.

Other risks

DANGER

The appliance may not be operate in explosive atmospheres.

Risk of explosion-Do not spray flammable liquids.

Never draw in fluids containing solvents or undiluted acids and solvents! This includes petrol, paint thinner and heating oil. The spray mist is highly inflammable, explosive and poisonous. Do not use acetone, undiluted acids and solvents, as they corrode the materials used on the appliance.

Never use the product with inflammable or toxic liquids, or liquids with characteristics incompatible with its proper operation.

Keep packaging films away from children, there is a risk of suffocation!

WARNING

According to applicable regulations, the appliance must never be used on the drinking water net without a system separator. Ensure that the connection of your building water installation on which the high pressure cleaner is operated is equipped with a system separator pursuant.

Water that has flown through backflow preventers is considered to be non-potable.

High-pressure hoses, fittings and couplings are important for the safety of the appliance. Only use high-pressure hoses, fittings and couplings recommended by the manufacturer.

To ensure applicable safety, use only original spare parts from the manufacturer or approved by the manufacturer.

Switch the product off and disconnect it from the power supply removing the power plug from the socket outlet before assembly, cleaning, adjustments, maintenance, storage and transportation or converting the product to another function.

CAUTION

Mind the weight of the appliance when selecting the storage location and during transport to prevent accidents or injuries.

Several hours of continuous use of the appliance can lead to numbness in the hands in rare cases.

- Wear gloves.
- Keep hands warm.
- Take breaks at regular intervals. Working with detergent.

WARNING

The improper use of detergents can cause severe injuries or oxidation.

Store cleaning agent away from the reach of children.

Discharge residual pressure before disconnecting the hose from the product.

Check before each use, and at regular intervals, that all metal fasteners are tight and the product's components are in good condition; inspect for broken or worn parts.

Be aware of kick-back: Hold With Both Hands.

SERVICING OF A DOUBLE-INSULATED APPLIANCE

In a double-insulated product, two systems of insulation are provided instead of grounding. Grounding means are not provided for a double-insulated product, nor should grounding means be added to the product. Servicing a double-insulated product requires extreme care and knowledge of the system, and should only be done by qualified service personnel. Replacement parts for a double-insulated product must be identical to the original parts. A double-insulated product is marked with the words "Double Insulation" or "Double Insulated".

Residual Risks

Even if you are operating this product in accordance with all the safety requirements, potential risks of injury and damage remain. The following dangers can arise in connection with the structure and design of this product:

Health defects resulting from vibration emission if the product is being used over long periods of time or not adequately managed and properly maintained.

Danger of injury and property damage caused by flying objects.

Injuries and damage to property due to broken accessories or the sudden impact of hidden objects during use.

Safety devices

CAUTION

Safety installations serve the protection of the user and may not be modified or by past.

Power switch

The appliance switch prevents unintentional operation of the appliance.

Lock trigger gun

This lock locks the lever of the trigger gun and prevents the inadvertent start of the appliance. Overflow valve with.

Water that has flowed through backflow preventers is considered to be non-potable.

Pressure switch

If the lever on the trigger gun is released the pressure switch turns off the pump, the high pressure jet is stopped. If the lever is pulled the pump is turned on again.

Motor protection switch

The motor protection switch off the device if the power consumption is high.

Personal protective equipment

CAUTION

Wear protective clothing and safety goggles to protect against splash back containing water or dirt.

During the use of high-pressure cleaners aerosols can develop. Inhaling aerosols can cause health damage.

- Depending on the application, completely shielded nozzles(e.g. surface cleaner)that significantly reduce the emission of aqueous aerosols can be used for high-pressure cleaning.
- The use of such shielding is not possible with all applications.

Symbols on the machine



The high pressure jet must not be directed at persons, animals, live electrical equipment or at the appliance itself.



The appliance must not be directly connected to the public drinking water network.



For protection against injury, wear ear defenders and safety goggles.



Wear safety gloves during use to protect hands.



Wear non-slip footwear that will protect your feet and improve your footing on slippery surfaces.



Sound power level is 92dB(A).

PROPER USE

Use this pressure washer for private households only:

If connection is made to a potable water system, the system shall be protected against backflow.

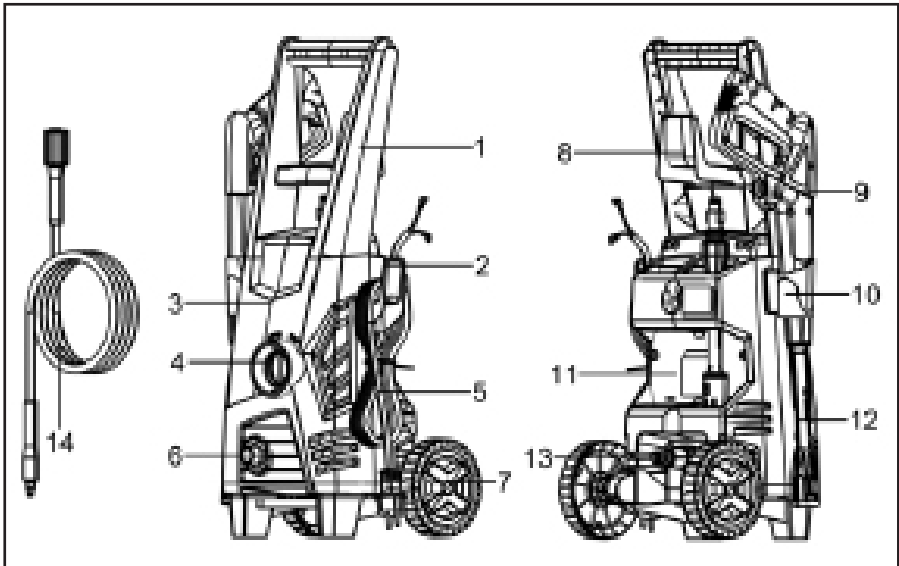
This high pressure cleaner is designated with a rated input current. The intended use of this product covers the cleaning of vehicles, buildings, terraces, facades and garden equipment using clean water and biodegradable chemical detergents. Likewise the product can be used to clean paving slabs or rain gutters.

This product may not be used to clean clothing, shoes and other textiles. The water jet should not be directed against persons. Animals,

any electrical equipment or on the product itself. Do not flush any objects which contain health hazardous materials. The product must not be run with inflammable, explosive and toxic liquids.

For safety reasons it is essential to read the entire instruction manual before first operation and to observe all the instructions there in.

DESCRIPTION OF THE APPLIANCE



1. Handle
2. Power cord hook
3. Front case
4. Adjust switch OFF/ON
5. Power cord
6. Water outlet
7. Wheel
8. High-pressure hose hook
9. Trigger gun
10. Trigger gun hook
11. Rear case
12. Spray wand
13. Water inlet
14. High-pressure hose

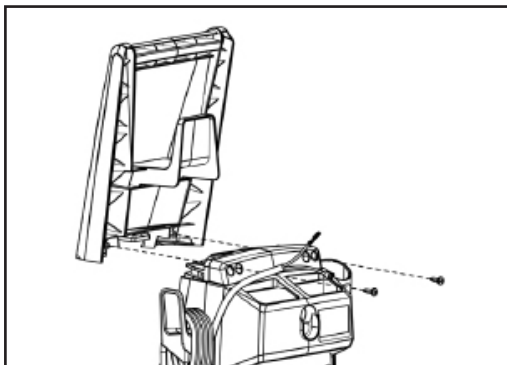
TECHNICAL SPECIFICATIONS

Voltage	120V ~
Frequency	60Hz
Watt	1400W
Protection Class	II
Degree of protection	IPX5
Rated pressure	7MPa
Max. pressure	10MPa
Rated flow	5.5l/min
Max. flow	6.5l/min
Max. inlet pressure:	0.7Mp
Sound pressure level: Uncertainty:	LpA=88 dB(A) KPA=3dB
Sound power level: Uncertainty:	LwA=92dB (A)
Vibration value	ah=1.8m/s2 Kah=0.05m/s2
G.W/N.W (kg)	6.6/5.8

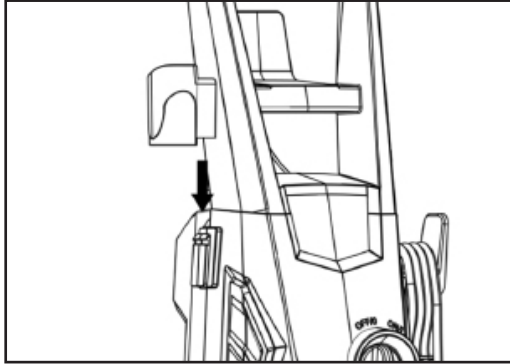
ASSEMBLY

Mount loose parts delivered with appliance prior to start-up.

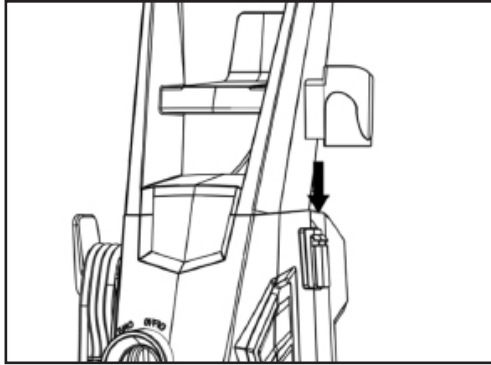
1. Slide the handle into position with two screws.



2. Slide the trigger gun holder into position of unit left

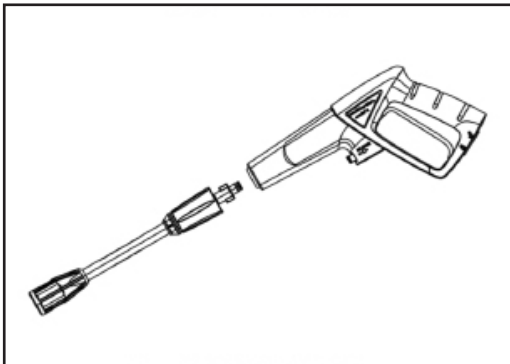


3. Slide the power cord hook into position of unit left



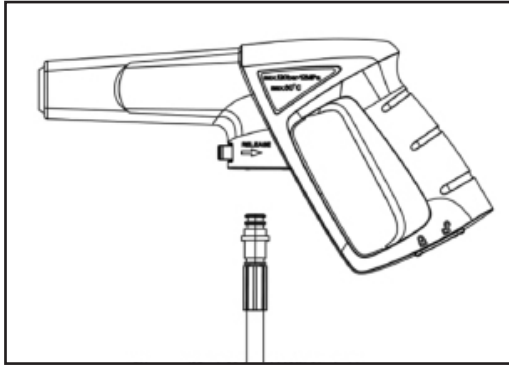
4. Installing the spray wand

- Fit the spray wand into the gun and rotate it until the two parts are completely locked.



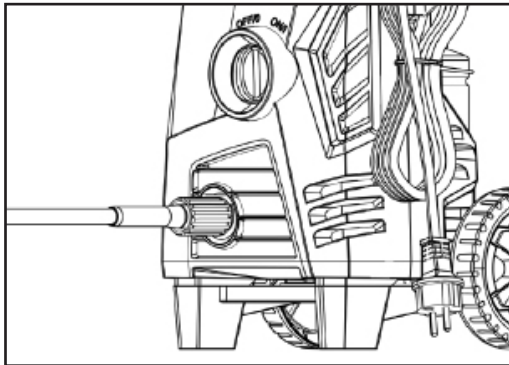
5. Connect the high pressure hose to the trigger gun

- Connect the sliver end of the high-pressure hose to the trigger gun and twist the nut as indicated to secure the connection.



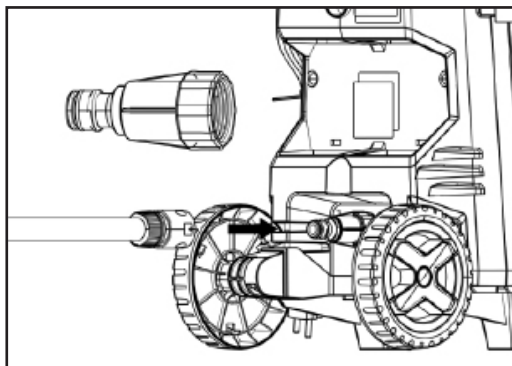
6. Connect the high-pressure hose to the water outlet

- Connect the other end of the high-pressure hose to the water outlet on the washer and twist the black rotatable end-piece as indicated to secure the connection.



7. Connect the garden hose to the water inlet

- Connect the garden hose adaptor (female coupler) to the water inlet of the pressure washer, then thread your garden hose (male end) into the garden hose adaptor.



START UP

Park the appliance on an even surface.

Insert the mains plug into the socket.

Water supply

For connection values, see type plate.

ATTENTION

Impurities in the water can damage the high-pressure pump and the accessories.

Water supply from mains.

Drawing in water from the open reservoirs.

This high-pressure cleaner is suited to work with the Promaker® suction hose with backflow valve to draw in surface water, e.g. from water butts or ponds.

Fill the suction hose with water.

Screw the suction hose into the water connection of the appliance and insert it into the water source (e.g. rainwater drum).

Bleed the device as follows prior to operation:

- Turn on the appliance “OFF/ON”
- Unlock the lever of the trigger gun.
- Push the lever of the trigger gun, the device will switch on.
- Let the device run (max. 2 minutes) until the water exits the trigger gun without bubbles.
- Release the lever of the trigger gun.
- Lock the lever of the trigger gun.

OPERATION

ATTENTION

Dry running of more than 2 minutes leads to damage of the high-pressure pump. If the appliance does not build up pressure within 2 minutes, switch the appliance off and proceed in accordance with the instructions in Chapter “Troubleshooting”.

High pressure operation

⚠ CAUTION

Keep a distance of at least 30 cm when using the jet for cleaning painted surfaces to avoid damage.

⚠ CAUTION

Make sure the on/off switch is set to “OFF/O” and insert the plug into a properly installed socket.

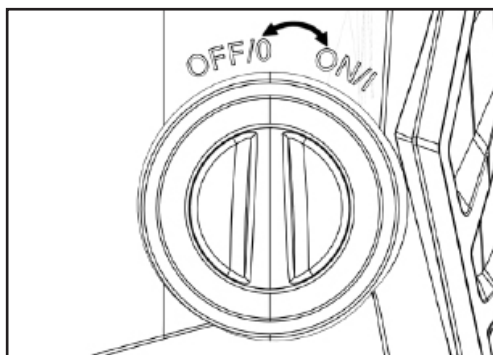
ATTENTION

- The washer must be used on a secure and stable surface in a standing, upright position.



Connect the product to power and water supply as described.

- Open the water supply
- Hold the spray gun with both hands.
- Direct the nozzle of the chosen accessory away from you towards the surface to be cleaned.
- Unlock the trigger and press it until a constant amount of water flows through the nozzle, to allow air trapped in the hose to escape.
- Release the trigger.
- Turn on the switch “OFF/ON”.



- Hold the spray gun with both hands. Direct the water jet to the object to be cleaned and press the trigger.

Release the lever of the trigger gun; the device will switch off again and stop the water jet. High pressure remains in the system.

WARNING! Beware of kickback when pressing the trigger!

Operation with detergent

Detergent can only be added when the device is operated in low pressure mode.

⚠ DANGER

When using detergents, the material data safety sheet issued by the detergent manufacturer must be adhered, especially the instructions

regarding personal protective equipment.

Remove the cap of the clean detergent bottle. Gently pull the onboard detergent tank out of its storage position.

Fill the tank with detergent designed specifically for use with pressure washers.

Push the detergent bottle with the opening pointing downwards into the connection for the hose clean detergent.

Recommended cleaning method

- Spray the detergent sparingly on the dry surface and allow it to react, but not to dry.
- Spray off loosened dirt with the high pressure Met.

After operation with detergent

- Remove the hose clean detergent bottle from the intake and close it with the lid.
- For storage, put the detergent bottle into the retainer with the cap pointing up.

Interrupting operation

- Release the lever of the trigger gun.
- Lock the lever of the trigger gun.
- Put the trigger gun with the spray lance into the parking position.
- During longer breaks (more than 5 minutes), also turn the appliance off using the “OFF/ON” switch.

Finish operation

- Release the lever of the trigger gun.
- Turn off the appliance “OFF/ON”.

- Disconnect the mains plug from the socket.

Only separate the high-pressure hose from the trigger gun or the device when there is no pressure in the system.

TURN OFF TAP

- Pressure the lever of the trigger gun to release any remaining pressure in the system.
- Release the lever of the trigger gun.
- Lock the lever of the trigger gun.

ATTENTION

- When disconnecting the supply or high pressure hose, warm water may leak from the connection after operation.
- Detach the appliance from the water supply.

TRANSPORTATION

CAUTION

Risk of personal injury or damage!

Mind the weight of the appliance during transport.

When transporting by hand

- Switch the product off and disconnect it from the water and power supply.
- Pull out the transport handle until it audibly snaps into place. Attach transportation guards, if applicable.
- Pull the appliance by its transport handle.

When transporting in vehicles

- Prior to horizontal transport: close the cap of clean detergent bottle.
- Tilt the product towards you until it balances on the wheels. Then move it by its transportation handle.
- Protect the product from any heavy impact or strong vibrations

which may occur during transportation in vehicles.

- Secure the appliance against shifting and tipping over.

STORAGE

CAUTION

Risk of personal injury or damage!

Consider the weight of the appliance when storing it.

Storing the appliance

- Park the machine on an even surface.
- Detach spray lance from the trigger gun.
- Push the disconnect button on the trigger gun and pull the high-pressure hose out of the trigger gun.
- Place the trigger gun into the storage for the trigger gun.
- Put both spray lances into the storage for the spray lance.
- Dirt grinder spray lance: Nozzle towards the bottom.
- Coil the high-pressure hose and hang it over the hose storage.
- Store the mains connection in the accessory compartment.
- Prior to extended storage periods, as during the winter, also observe the instructions in the care section.
- Always store the pressure cleaner, parts, and accessories in a place that is inaccessible to children. The ideal storage temperature is between 10 °C and 30 °C. Store the power washer indoors to prevent the water in the unit from expanding under freezing conditions.
- We recommend using the original package for storage or covering the product with a suitable cloth or enclosure to protect it against dust.

Frost protection

ATTENTION

Appliance and accessories that are not completely drained can be destroyed by frost.

Completely drain appliance and accessories and protect them against frost. To avoid damage:

- Detach the appliance from the water supply.
- Detach spray lance from the trigger gun.
- Turn on the appliance “ON/OFF”.
- Push the lever of the trigger gun until no more water is escaping .
- Release the lever of the trigger gun.
- Lock the lever of the trigger gun.
- Turn off the appliance “ON/OFF”.
- Store the appliance and the entire accessories in a frost free room.

CARE AND MAINTENANCE

DANGER

Risk of electric shock.

Prior to all work on the appliance, switch off the appliance and pull the power plug.

High pressure hose

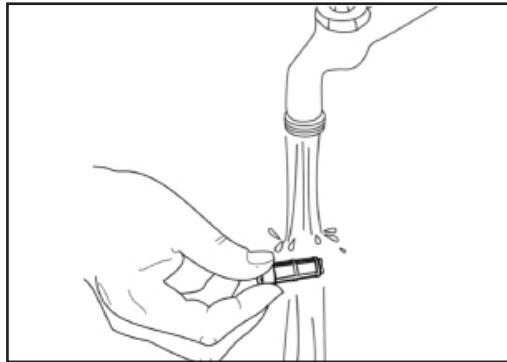
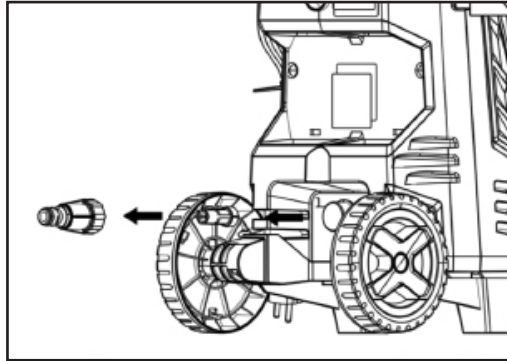
The high pressure hose is specially constructed with reinforced walls it can be easily damaged and should be stored carefully.

- Do not kink.
- Do not drive vehicles over the hose.
- Do not expose the hose to sharp edges or corners. Misuse will lead to ballooning or premature failure and will invalidate warranty.

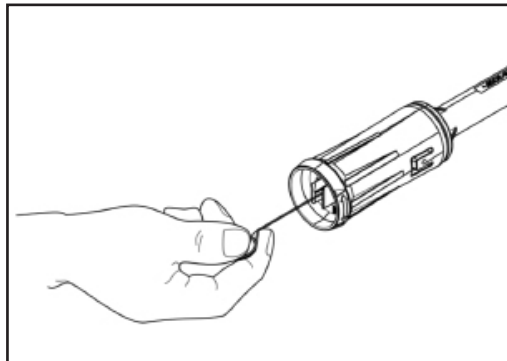
Clean the sieve in the water connection

Clean the sieve in the water connection regularly.

Remove coupling from the water connection, and rinse with warm water to prevent any foreign matter from clogging the pump.



Clean the nozzle with the needle clean-out tool provided . Remove the spray wand from the gun. Remove any dirt from the nozzle hole and rinse.



ATTENTION

- The sieve must not be damaged.
- Pull the sieve out using flat pliers.
- Clean the sieve under running water.
- Reinsert the sieve into the water connection.

TROUBLESHOOTING

DANGER

Risk of electric shock.

Turn off the appliance and remove the main plug prior to performing any care and maintenance work. Repair work and work on the electrical components may not only be performed by an authorized customer service. You can rectify minor faults yourself with the help of the following overview. If in doubt, please consult the authorized customer service.

Symptom	Cause	Recommended action
Machine refuses to start.	<ul style="list-style-type: none"> a) Machine not plugged in. b) Defective socket. c) Fuse has blown. d) Defective extension cord. 	<ul style="list-style-type: none"> a) Plug in machine. b) Try another socket. c) Replace fuse. Switch off other machines. d) Try without the extension cord.
Fluctuating pressure.	<ul style="list-style-type: none"> a) Pump sucking air. b) Valves dirty, worn out or stuck. c) Pump seals worn out. 	<ul style="list-style-type: none"> a) Check that hoses and connections are airtight. b) Clean and replace or refer to local distributor c) Clean and replace or refer to local distributor.
Machine stops.	<ul style="list-style-type: none"> a) Incorrect mains voltage. b) Thermal sensor activated. c) Nozzle partially blocked. 	<ul style="list-style-type: none"> a) Check that the mains voltage corresponds to specification on the model tag. b) Leave the washer for 5 minutes to cool down. c) Clean the nozzle.
Machine pulsating.	<ul style="list-style-type: none"> a) Air in inlet hose. b) Inadequate supply of mains water. c) Nozzle partially blocked. d) Water filter blocked. e) Hose kinked. 	<ul style="list-style-type: none"> a) Allow machine to run with open trigger until regular working pressure resumes. b) Check that the water supply corresponds to specifications required NB! c) Avoid using long, thin hoses (min. 1/2"). d) Clean the nozzle /Clean the filter. e) Straighten out hose.
Machine starts, but no water comes out.	<ul style="list-style-type: none"> a) Pump/hoses or accessory frozen. b) No water supply. c) Water filter blocked /Nozzle blocked. 	<ul style="list-style-type: none"> a) Wait for pump/hoses or accessory to thaw. b) Connect inlet water. c) Clean the filter /Clean the nozzle .

ACCESSORIES

A choice of accessories is supplied in the scope of the delivery of this product. Please check the technical specification of any accessories that you purchase to ensure they are compatible with this product.

WARRANTY

1. **PROMAKER®**, through its **PX2** warranty for power tools, has the following characteristics:

- It covers the products for **2 years** from the date of purchase against any defect in its operation, for faults in the materials or labor used in its manufacture.
- Provides **2 years** of free maintenance service and labor for replacement of consumables.
- Provides a trial period of **2 months** where you can exchange the tool for a higher capacity one if the original does not meet your requirement, by paying the difference in price.
- All the attributes offered by the warranty are valid presenting the original purchase invoice.

2. For warranty service, please contact the present the warranty card and the original invoice for the warranty service.

3. This Warranty DOES NOT applies for:

- Transportation damages after sales.
- Services not provided by our authorized service centers.
- Accessories and spare parts, if any, provided in the package.
- Damage resulted from commercial or industrial use, as this product is intended for DIY use only.

EC DECLARATION OF CONFORMITY

We hereby declare that the machine described below complies with the relevant basic safety Directives, both in its basic design and construction as well as in the version put into circulation by us. This declaration shall cease to be valid if the machine is modified without our prior approval.

Product: High pressure cleaner

Type: PRO-H1400

Applied conformity evaluation method
2000/14/EC: Appendix V
Sound power level dB(A)



www.promakertools.com

PROMAKER®




GARANTÍA X2 AÑOS
SERVICIO GRATUITO X2 AÑOS
PERIODO DE PRUEBA X2 MESES

Lavadora de Alta Presión
Manual del Usuario
Modelo No.: PRO-H1400

INSTRUCCIONES IMPORTANTES DE SEGURIDAD

CONSERVE ESTAS INSTRUCCIONES

 Favor leer y seguir estas instrucciones originales antes de poner en marcha su lavadora y guardarlas para el uso posterior suyo o de un dueño posterior.

Mas allá de las notas contenidas aquí, se deben observar las reglas y previsiones generales de seguridad para la prevención de accidentes vigentes en el país.

Las advertencias y notas adjuntas a su aparato le brindan consejos para su manejo seguro.

Niveles de peligrosidad

PELIGRO

Indica un peligro inmediato, el cual de no ser evitado, trae lesiones graves o muerte.

ADVERTENCIA

Indica una posible situación de peligro, la cual de no ser evitada, puede traer lesiones graves o muerte.

PRECAUCIÓN

Indica una posible situación de peligro, la cual de no ser evitada, puede traer lesiones menores.

ATENCIÓN

Indica una posible situación de peligro que puede resultar en daños materiales.

Componentes eléctricos

PELIGRO

Riesgo de una descarga eléctrica.

Nunca toque el enchufe o el tomacorriente con las manos mojadas.

Revise el enchufe del cable de alimentación por posibles daños antes de cada uso. No utilice su electrodoméstico si un cable de suministro o alguna otra parte importante de la máquina está dañada; como por ejemplo, dispositivos de seguridad, mangueras de alta presión, etc.

Toda parte conductora de electricidad dentro del área de trabajo debe protegerse contra agua que fluye.

El enchufe de cable de red y un cable de extensión deben acoplarse perfectamente y nunca deberán estar sumergidos en agua. Mas aún, dicho acople nunca deberá quedar al ras del suelo.

Se recomienda el uso de rieles para asegurar que los tomacorrientes queden a una altura de al menos 60 mm.

Asegúrese que el cable de extensión o alimentación no sufran daños debido a tropiezos, arrastres, pinchazos y situaciones similares. Proteja los cables del calor, el aceite y bordes agudos.

ADVERTENCIA

El equipo solo podrá ser conectado a una toma eléctrica instalada por un electricista de acuerdo con el reglamento IEC 60364.

Su aparato solamente deberá ser conectado a corriente alterna. El voltaje deberá corresponder con el tipo del equipo.

Por razones de seguridad recomendamos que opere su equipo solo a través de un dispositivo de corriente residual (max. 30mA).

Un cable de extensión eléctrico inapropiado puede ser peligroso. Solo utilice cables eléctricos de extensión que hayan sido aprobados y etiquetados para dicho propósito y que posean la adecuada longitud y corte transversal: 1 – 10 m: 1,5mm²; 10 – 30 m: 2,5mm².

Siempre desenrolle el cable de extensión completamente del carrete. Un cable eléctrico de extensión puede ser peligroso.

PELIGRO

El usuario debe darle al equipo el uso indicado. La persona debe tomar en cuenta las condiciones locales y debe estar atento a la presencia de otras personas cercanas al momento de utilizar el aparato.

Revise piezas importantes, tales como mangueras de alta presión, pistolas manuales de riego e instalaciones de seguridad antes de cada uso. Reemplace inmediatamente piezas dañadas. No opere su equipo con componentes dañados.

El equipo ha sido diseñado para ser utilizado junto con el agente limpiador suministrado o recomendado por el fabricante. El uso de otros agentes o químicos pueden afectar negativamente la seguridad de su aparato.

Chorros de alta presión pueden ser peligrosos si se utilizan de manera inapropiada. El chorro no deberá dirigirse hacia personas, equipos eléctricos o a la máquina en sí.

No dirija el chorro hacia usted o hacia otros al limpiar ropa o calzado.

No utilice el aparato en proximidad de personas a menos que estas vistán ropa protectora.

Vista Equipo de Protección Personal (PPE) mientras maneje el equipo.

ADVERTENCIA

El aparato no debe ser operado por niños o personal incapacitado.

Personas con capacidades físicas, mentales y/o sensoriales limitadas (incluyendo niños) o que no posean la experiencia o el conocimiento adecuado no deben utilizar este aparato

Niños no deben jugar con este aparato y deben permanecer supervisados para que eso se cumpla.

El aparato debe permanecer estable antes de cualquier trabajo a fin de prevenir cualquier daño accidental.

El chorro de agua que se expulsa a través de la boquilla de alta presión genera una fuerza repulsiva que actúa sobre la pistola manual de riego. Asegúrese que usted está bien plantado y que sostiene la pistola y la lanza con firmeza.

Nunca desatienda al equipo mientras esté en uso.

ATENCIÓN

En caso de períodos de inactividad, apague el equipo accionando el interruptor principal o jale el enchufe del cable de alimentación.

No opere el equipo a temperaturas por debajo de 0° C.

Otros riesgos

PELIGRO

El equipo puede que no funcione en ambientes explosivos. Riesgo de explosión-No rocíe líquidos inflamables.

¡Nunca aspire líquidos que contengan solventes o sustancias ácidas sin diluir con solventes!, esto incluye petróleo, diluyentes de pintura y aceites. El rocío del spray es altamente inflamable, explosivo y venenoso. No utilice acetona, ácidos sin diluir ni solventes, ya que corroen los materiales que se utilizan en el equipo.

Nunca use el producto con líquidos inflamables o tóxicos, o con líquidos que posean características incompatibles con su uso indicado.

¡Mantenga todo rollo de film de embalaje fuera del alcance de niños a fin de prevenir riesgo de asfixia!

ADVERTENCIA

De acuerdo con regulaciones vigentes, este equipo nunca deberá estar integrado a la red de agua potable sin un sistema separador.

Asegúrese que la conexión del edificio a la cual estará acoplada su lavadora de alta presión está equipada con dicho sistema.

Se considera como no-potable toda agua que haya fluido a través de válvulas antirretorno.

Mangueras de alta presión, empalmes y acoplamientos son de suma importancia para la seguridad de su equipo. Solo utilice mangueras, acoplamientos y empalmes recomendados por el fabricante.

Para garantizar la seguridad, use solamente repuestos originales del fabricante o aprobados por el fabricante.

Apague el equipo y desconéctelo:

Retire el enchufe del tomacorriente antes de ensamblar, limpiar, ajustar, guardar, transportar, brindar mantenimiento o darle otra función a su aparato.

PRECAUCIÓN

Mantenga presente el peso de su equipo a la hora de transportarlo y/o almacenarlo a fin de prevenir accidentes o lesiones.

En casos extremos, varias horas de uso continuo puede producir adormecimiento en las manos.

- Utilice guantes.
- Mantenga las manos tibias.
- Tome recesos a intervalos regulares cuando trabaje con detergentes.

ADVERTENCIA

El uso indebido de detergentes puede causar oxidación o lesiones severas.

Almacene los agentes de limpieza fuera del alcance de los niños.

Descargue toda presión residual antes de desconectar la manguera del aparato.

Antes de cada uso y a intervalos regulares, asegúrese que todos los sujetadores de metal estén apretados y que las piezas de su equipo estén en buen estado. Inspeccione por roturas y desgaste.

Esté consciente de posibles culatazos: Agarre Con Ambas Manos.

MANTENIMIENTO DE EQUIPOS DE DOBLE AISLAMIENTO

Para equipos de doble aislamiento se proveen dos sistemas de aislamiento en lugar de la conexión a tierra. Medios para conectar a tierra no se incluyen para aparatos de doble aislamiento ni deben añadirseles. Prestar servicio a equipos de doble aislamiento requiere de conocimiento y extremo cuidado por parte de un técnico especializado. Repuestos para un aparato de doble aislamiento deben ser idénticos a los originales. Estos equipos están identificados con las palabras “Double Insulation” o “Double Insulated”.

Peligros residuales

Aun cuando usted observe todos los requerimientos de seguridad al operar esta máquina, existen todavía riesgos potenciales de daños y lesiones.

Los siguientes peligros relacionados con la estructura y el diseño de este producto pueden surgir:

Defectos de Salud que resulten de emisiones causadas por vibraciones emitidas por la máquina si la misma se utiliza por largos períodos de tiempo o no se maneja o mantiene adecuadamente.

Riesgo de lesiones o daño a la propiedad causados por objetos que se desprendan en el aire.

Lesiones y daño a la propiedad debido a la presencia de accesorios rotos o al impacto repentino de objetos escondidos durante el uso.

Dispositivos de seguridad

PRECAUCIÓN

Las instalaciones de seguridad sirven para proteger al usuario y no deben ser modificadas ni ignoradas.

Interruptor de alimentación

El interruptor de alimentación previene que la máquina se prenda accidentalmente.

Seguro del gatillo

Este seguro traba la palanca de la pistola de gatillo y previene que la máquina se prenda de manera accidental.

Interruptor de presión

Si la palanca en la pistola de gatillo se libera, el interruptor de presión apaga la bomba y se detiene el chorro de alta presión. Si la palanca se jala, la bomba se prende nuevamente.

Interruptor de protección del motor

El interruptor de protección del motor apaga el equipo si el consumo de energía es demasiado alto.

Equipo de protección personal

PRECAUCIÓN

Use ropa protectora y gafas de seguridad para protegerse contra salpicaduras que contengan agua o suciedad.

El uso de limpiadores de alta presión puede generar aerosoles. La inhalación de los mismos puede ocasionar daños a la salud.

- Dependiendo de su aplicación, para la limpieza de alta presión se pueden utilizar boquillas completamente blindadas que reducen significativamente la emisión de aerosoles líquidos.
- El uso de tal blindaje no es posible para todas las aplicaciones.

Símbolos en la máquina



El chorro de alta presión no debe dirigirse hacia personas, animales, aparatos encendidos o hacia el equipo mismo.



El aparato no debe conectarse directamente a la red de suministro de agua potable.



Use orejeras y gafas de seguridad para protegerse contra lesiones.



Use guantes de seguridad para protegerse las manos.



Use calzado anti-resbalante para proteger sus pies en superficies resbaladizas.



El nivel de sonido es 92dB(A).

USO APROPIADO

Si utiliza esta lavadora de presión en hogares privados, tenga presente:

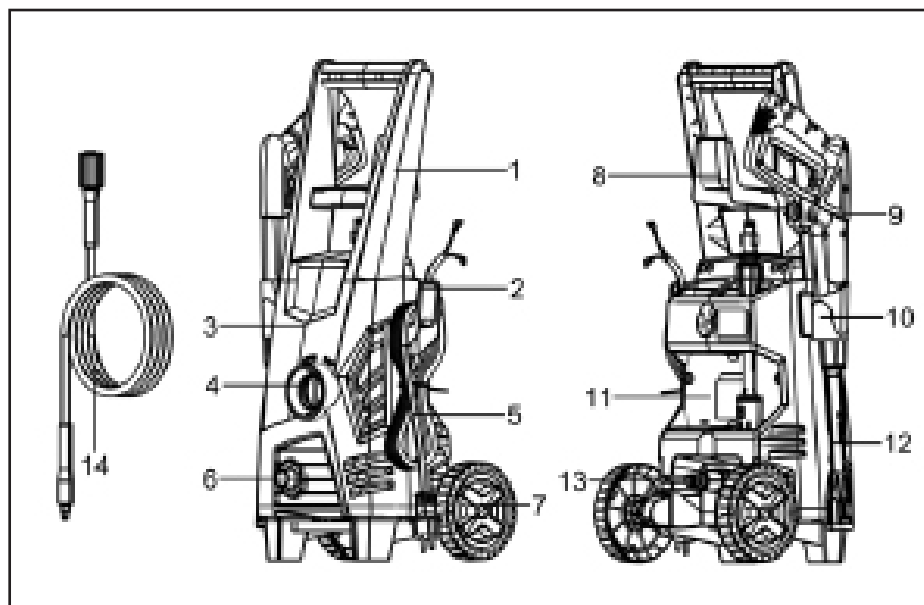
Si el aparato está conectado a un sistema de agua potable, dicho sistema deberá protegerse contra reflujos.

Esta limpiadora de alta presión está designada con una corriente nominal de entrada. Su uso cubre la limpieza de vehículos, edificios, terrazas, fachadas, y equipos de jardinería mediante la utilización de agua limpia y detergentes químicos biodegradables. Asimismo, el aparato se puede utilizar para limpiar pavimento y desagües o canaletas de lluvia.

Este producto no debe ser utilizado para limpiar ropa, zapatos o materiales textiles. El chorro de agua no deberá dirigirse hacia personas, animales, equipos eléctricos o al aparato mismo. No enjuague objetos que contengan materiales peligrosos para la salud y no opere el aparato con líquidos inflamables, explosivos o tóxicos.

Por razones de seguridad es indispensable leer el manual de instrucciones en su totalidad antes de poner el equipo en marcha por primera vez y observar todas las recomendaciones aquí contenidas.

DESCRIPCIÓN DEL APARATO



1. Palanca
2. Caja frontal
3. Gancho de cable de alimentación
4. Interruptor ON/OFF
5. Cable de alimentación
6. Salida de agua
7. Rueda
8. Gancho de manguera de alta presión
9. Pistola de gatillo
10. Gancho de pistola de gatillo
11. Caja trasera
12. Lanza de boquilla
13. Entrada de agua
14. Manguera de alta presión

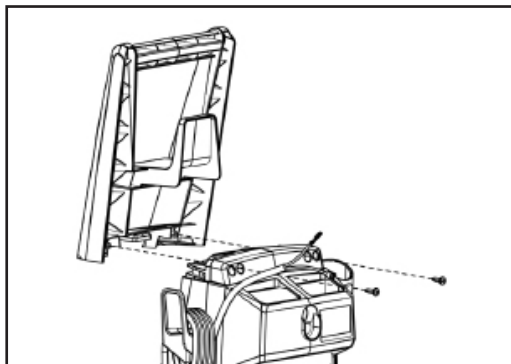
ESPECIFICACIONES TÉCNICAS

Voltaje	120V ~
Frecuencia	60Hz
Vatio	1400W
Grado de protección	II
Nivel de protección	IPX5
Presión nominal	7MPa
Presión máxima	10MPa
Caudal nominal	5.5l/min
Caudal máximo	6.5l/min
Presión máxima de entrada	0.7Mp
Nivel de presión de sonido: Incertidumbre:	LpA=88 dB(A) KPA=3dB
Nivel de poder de sonido: Incertidumbre:	LwA=92dB (A)
Índice de vibración	ah=1.8m/s ² Kah=0.05m/s ²
G.W/N.W (kg)	6.6/5.8

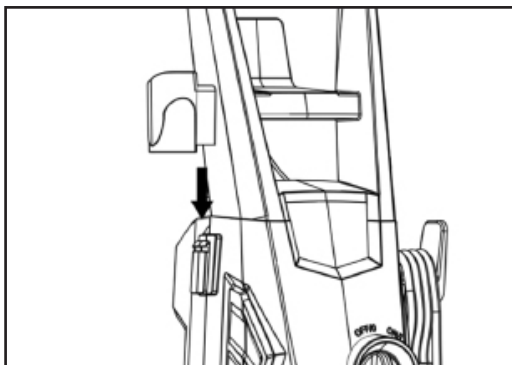
ENSAMBLAJE

Arme los componentes sueltos incluidos con el aparato antes de comenzar.

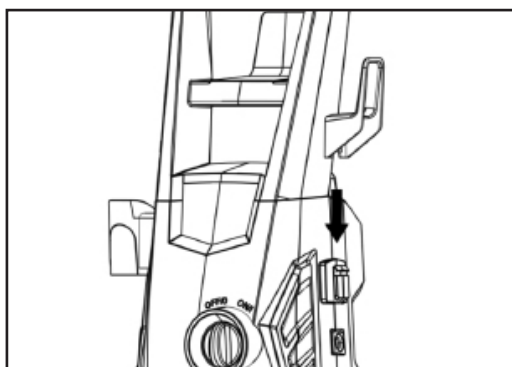
1. Posicione la palanca deslizándola con dos tornillos como se indica.



2. Posicione el soporte de la pistola de gatillo deslizándola como se indica.

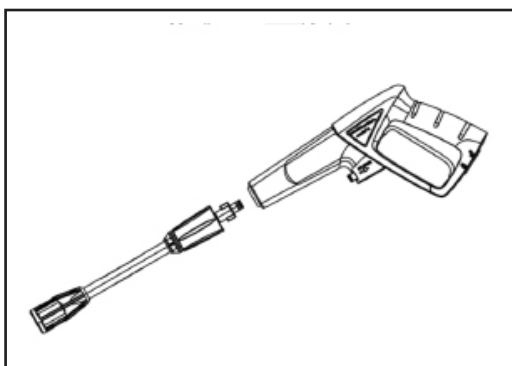


3. Posicione el gancho del cable de alimentación deslizándolo como se indica.



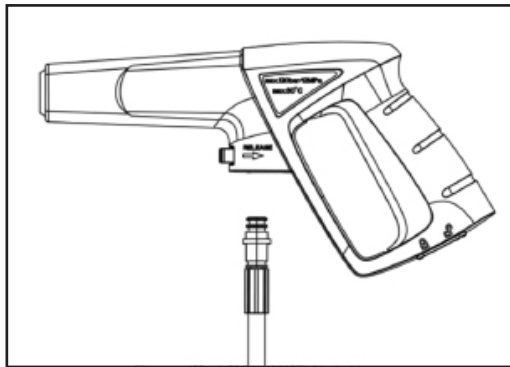
4. Instalando la lanza de boquilla.

- Ajuste la lanza de boquilla dentro de la pistola y gire hasta que las dos partes se acoplen perfectamente.



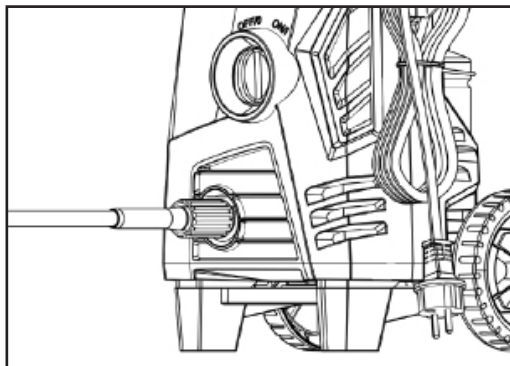
5. Conecte la manguera de alta presión a la pistola de gatillo.

- Conecte el lado plateado de la manguera de alta presión a la pistola de gatillo y gire la tuerca como se indica para asegurar el acoplamiento.



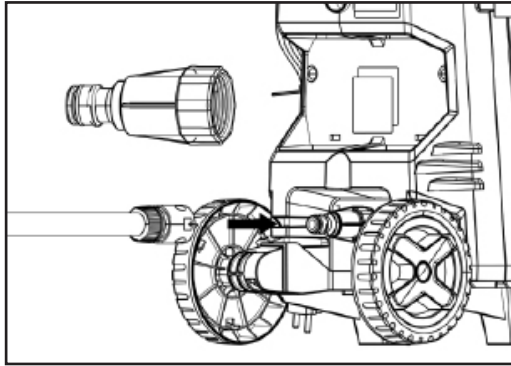
6. Conecte la manguera de alta presión a la salida de agua.

- Conecte la otra punta de la manguera de alta presión a la salida de agua en la lavadora y de vuelta a la pieza negra giratoria como se indica para asegurar el acoplamiento.



7. Conecte la manguera de jardín a la entrada de agua.

- Conecte el adaptador (acoplador hembra) de la manguera de jardín a la entrada de agua de su lavadora de presión y luego inserte el extremo macho de la manguera de jardín en dicho adaptador.



PUESTA EN MARCHA

Pare su máquina en una superficie nivelada.

Inserte el enchufe principal en el tomacorriente.

Suministro de agua

Para valores de conexión, ver la placa de características.

ATENCIÓN

Impurezas en el agua pueden dañar la bomba de alta presión así como sus accesorios.

Suministro de agua proveniente de la red.

Extraer agua de embalses o depósitos abiertos.

Esta limpiadora de alta presión está diseñada para funcionar con válvula de retención y la manguera de succión Promaker® para atraer agua superficial; como, por ejemplo, de estanques o tinas.

Llene la manguera de succión con agua.

Atornille la manguera de succión a la conexión de agua del equipo e insértela en la fuente de agua (ej. tambor de agua).

Sangre el dispositivo antes de ponerlo en marcha de la siguiente manera:

- Prenda el aparato mediante el interruptor “OFF/ON”.
- Desbloquee la palanca de la pistola de gatillo.
- Empuje la palanca de la pistola de gatillo, accionando el dispositivo.
- Deje correr el dispositivo durante dos minutos (máximo) hasta que el agua salga de la pistola sin burbujas.
- Suelte la palanca de la pistola de gatillo.
- Bloquee la palanca de la pistola.

FUNCIONAMIENTO

ATENCIÓN

Operar en seco durante más de 2 minutos puede dañar la bomba de alta presión. Si el aparato no genera suficiente presión dentro de los primeros 2 minutos, apague el equipo y siga las instrucciones en el capítulo “Solución de Problemas”.

Trabajando bajo alta presión

⚠ PRECAUCIÓN

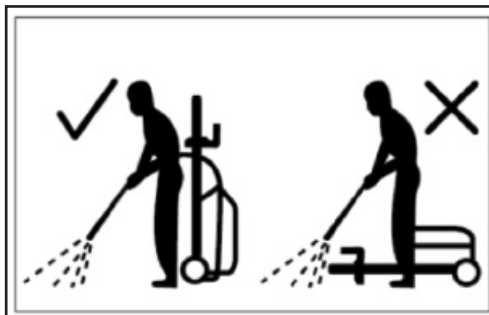
Observe una distancia de al menos 30 cm cuando utilice el chorro para limpiar superficies a fin de evitar daños.

⚠ PRECAUCIÓN

Asegúrese que el interruptor “on/off” esté en “OFF/O” e inserte el enchufe en un tomacorriente debidamente instalado.

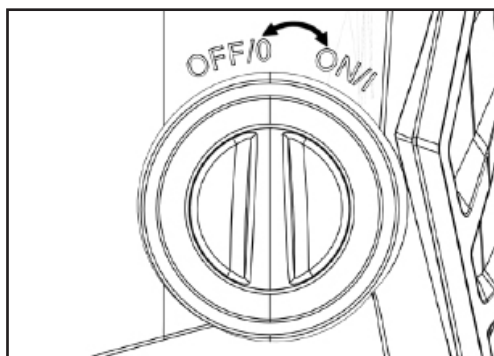
ATENCIÓN

- La lavadora debe ser utilizada de pie sobre una superficie segura y estable.



Conecte el equipo a suministros eléctricos y de agua tal como se especifica.

- Abra el suministro de agua.
- Sostenga la pistola rociadora con ambas manos.
- Dirija la boquilla del accesorio que va a utilizar hacia la superficie a limpiar.
- Desbloquee el gatillo y apriételo hasta que una cantidad constante de agua fluya a través de la boquilla, permitiendo que el aire atrapado en la manguera escape.
- Suelte el gatillo.
- Prenda el interruptor “OFF/ON”.



- Sostenga la pistola rociadora con ambas manos. Dirija el chorro de agua hacia el objeto a ser limpiado y presione el gatillo.

Suelte la palanca de la pistola de gatillo: el dispositivo se apagará nuevamente y detendrá el chorro de agua. Se mantiene alta presión en el sistema.

¡ADVERTENCIA! ¡Tenga cuidado con culatazos al apretar el gatillo!

Trabajando con detergente

El detergente solo puede ser añadido cuando el dispositivo funciona con baja presión.

PELIGRO

Al utilizar detergentes, la ficha de datos de seguridad del producto emitida por el fabricante de dicho detergente debe ser observada,

especialmente en lo concerniente a la protección personal.

Retire la tapa de un envase limpio de detergente. Jalándolo suavemente, saque el tanque para detergente de su posición original.

Llene el tanque con detergente diseñado específicamente para ser utilizado con lavadoras a presión.

Empuje el envase para detergente con la apertura hacia abajo en la conexión para detergentes de manguera.

Método de limpieza recomendado

- Rocíe el detergente de forma moderada, permitiendo que interactúe con la superficie sin dejarlo secar.
- Retire el sucio rociando con el Met de alta presión.

Después de limpiar con detergente

- Retire el envase para detergente para manguera y tápelo.
- Para almacenarlo, ponga el envase para detergente dentro del porta-botellas con la tapa hacia arriba.

Para interrumpir el trabajo

- Suelte la palanca de la pistola de gatillo.
- Trabe la palanca de la pistola de gatillo.
- Coloque la pistola de gatillo con la lanza de riego en la posición de pausa.
- Apague el aparato utilizando el interruptor “OFF/ON” durante recesos largos (más de 5 minutos).

Para terminar el trabajo

- Suelte la palanca de la pistola de gatillo.
- Apague el equipo en el interruptor “ON/OFF”.

- Desconecte el enchufe de red del tomacorriente.

Solo separe la manguera de alta presión de la pistola de gatillo o del dispositivo cuando no haya presión en el sistema.

CIERRE EL SUMINISTRO DE AGUA

- Presione la palanca de la pistola de gatillo para liberar la presión restante en el sistema.
- Suelte la palanca de la pistola de gatillo.
- Trabe la palanca de la pistola de gatillo.

ATENCIÓN

- Al desconectar las mangueras de suministro o de alta presión, agua tibia puede derramarse de la conexión.
- Separe el aparato del suministro de agua.

TRASLADO

⚠ PRECAUCIÓN

¡Riesgo de daños o lesiones!

Tenga presente el peso del equipo durante el traslado.

Traslado a mano

- Apague el aparato y desconéctelo de los suministros eléctricos y de agua.
- Jale la palanca de transporte hasta que escuche que encaje en su lugar. Adjunte protectores de ser aplicable.
- Jale la lavadora por la palanca de transporte.

Traslado en vehículos

- Antes de efectuar un transporte horizontal, cierre la tapa del envase para detergente.
- Inclíne el aparato hacia usted hasta que se balancee sobre las ruedas. Luego muévelo con la palanca de transporte.
- Proteja el equipo contra cualquier impacto pesado o vibraciones

fuertes que puedan ocurrir durante el transporte en vehículos.

- Asegure su aparato contra desplazamientos y volcamientos.

ALMACENAMIENTO

PRECAUCIÓN

¡Riesgo de daños o lesiones corporales!

Tenga presente el peso del equipo al guardarlo.

Guardando el equipo

- Coloque su aparato de pie sobre una superficie nivelada.
- Desprenda la lanza de riego de la pistola de gatillo.
- Presione el botón para desconectar en la pistola de gatillo y saque la manguera de alta presión de la pistola de gatillo.
- Guarde la pistola de gatillo en su sitio.
- Guarde ambas lanzas de riego en su sitio.
- Guarde la lanza pulverizadora de sucio con la boquilla hacia abajo.
- Enrolle la manguera de alta presión y cuélguela en su sitio.
- Guarde la conexión de red en el compartimiento de accesorios.
- Observe las instrucciones en la sección de cuidados antes de largos períodos de inactividad.
- Siempre guarde la limpiadora a presión, sus correspondientes partes y accesorios en un lugar inaccesible a niños. La temperatura ideal de almacenamiento es entre 10°C y 30°C. Guarde su lavadora adentro para prevenir que residuos de agua dentro de la unidad se expandan en bajas temperaturas.
- Se recomienda usar el envoltorio original para cubrir el equipo o bien hacerlo con alguna tela adecuada a fin de protegerlo contra el polvo.

Protección anti-congelante

ATENCIÓN

Las heladas pueden destruir equipo y accesorios que no hayan sido completamente escurridos. Vacíe totalmente el aparato y sus accesorios y asegúrese que no se congelen. Para evitar daños:

- Desprenda el equipo del suministro de agua.
- Separe la lanza de riego de la pistola de gatillo.
- Prenda el equipo mediante el interruptor “ON/OFF”.
- Presione la palanca de la pistola de gatillo hasta que no escape mas agua.
- Suelte la palanca de la pistola de gatillo.
- Trabe la palanca de la pistola de gatillo.
- Apague el aparato mediante el interruptor “ON/OFF”.
- Guarde su lavadora y todos sus accesorios en un cuarto a temperatura adecuada.

CUIDADO Y MANTENIMIENTO

⚠ PELIGRO

Riesgo de choque eléctrico.

Antes de realizar cualquier trabajo sobre la máquina, apáguelo y desenchúfelo.

Manguera de alta presión

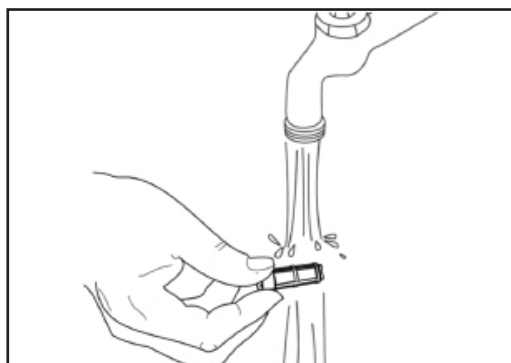
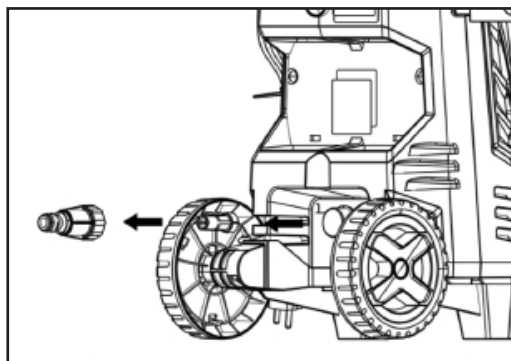
La manguera de alta presión está especialmente construida con barreras reforzadas que pueden dañarse fácilmente y deben ser guardadas con cuidado.

- No la tuerza.
- No ruede su vehículo por encima.
- No exponga la manguera a bordes o esquinas puntiagudas. El trato inadecuado puede hacer que la misma se expanda o falle de manera prematura; lo que hará inválida la garantía.

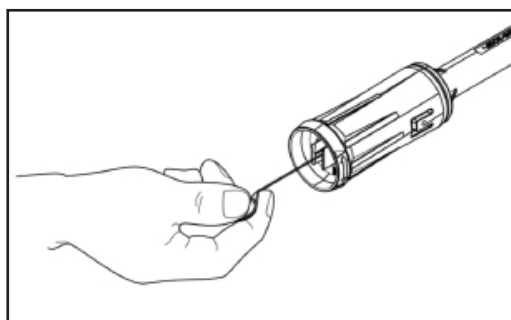
Limpie el tamiz en la conexión de agua

Limpie el tamiz en la conexión de agua con regularidad.

Retire el acoplamiento de la conexión de agua y enjuáguelo con agua tibia para prevenir que sustancias extrañas obstruyan la bomba.



Limpe la boquilla con la aguja de limpieza provista. Saque la lanza de boquilla de la pistola y retire toda suciedad de la apertura de la boquilla. Enjuague.



ATENCIÓN

- El tamiz no debe estar dañado.
- Retire el tamiz con unas pinzas planas.
- Limpe el tamiz con agua abundante.
- Reinserte el tamiz en la conexión de agua.

SOLUCIÓN DE PROBLEMAS

PELIGRO Riesgo de descarga eléctrica.

Apague el equipo y desenchufe el cable principal antes de llevar a cabo cualquier trabajo de cuidado y mantenimiento. Reparaciones y trabajos en los componentes eléctricos solamente deberán realizarse por un agente de servicio autorizado. Usted podrá rectificar fallas menores por su cuenta con la ayuda de la siguiente reseña general. Si el problema persiste, consulte con un agente de servicio autorizado.

Síntoma	Causas probables	Acción recomendada
La máquina no prende	<ul style="list-style-type: none"> a) No está enchufada. b) Tomacorriente defectuoso. c) Fusible quemado. d) Cable de extensión defectuoso. 	<ul style="list-style-type: none"> a) Enchufe la lavadora. b) Escoja otro tomacorriente. c) Reemplace el fusible. Apague otras máquinas. d) No utilice el cable de extensión.
Presión fluctuante	<ul style="list-style-type: none"> a) La bomba chupa aire. b) Válvulas sucias, desgastadas o atascadas. c) Sellos de la bomba desgastados. 	<ul style="list-style-type: none"> a) Asegúrese que las mangueras y las conexiones estén herméticas. b) Límpielas, reemplácelas o diríjase a su distribuidor local. c) Límpielos, reemplácelos o diríjase a su distribuidor local.
La máquina se detiene	<ul style="list-style-type: none"> a) Voltaje de red incorrecto. b) Sensor térmico activado. c) Boquilla parcialmente bloqueada. 	<ul style="list-style-type: none"> a) Asegúrese que el voltaje de la red corresponde a lo especificado en la etiqueta. b) Deje enfriar su máquina por 5 seg. c) Limpie la boquilla.
La máquina pulsa o vibra	<ul style="list-style-type: none"> a) Aire en la manguera de entrada. b) Suministro inadecuado de agua de red. c) Boquilla parcialmente bloqueada. d) Filtro de agua bloqueado. e) Manguera plegada o enrollada. 	<ul style="list-style-type: none"> a) Deje el equipo prendido con el gatillo abierto hasta que la presión regrese. b) Revise que el suministro de agua corresponda a lo especificado. Nota: Evite usar mangueras largas y delgadas (min. ½"). c) Limpie la boquilla. d) Limpie el filtro. e) Enderece la manguera.
Máquina prende pero no sale agua.	<ul style="list-style-type: none"> a) Bomba o mangueras congeladas. b) No hay suministro de agua. c) Filtro de agua y/o boquilla bloqueada. 	<ul style="list-style-type: none"> a) Espere a que se descongelen. b) Conecte su aparato a un suministro de agua. c) Limpie el filtro y/o la boquilla.

ACCESORIOS

Un conjunto de accesorios estarán disponibles durante la venta y entrega de este producto. Por favor revise las especificaciones técnicas de cada accesorio antes de comprarlo a fin de asegurar que sea compatible con su aparato.

GARANTÍA

1. **PROMAKER®**, mediante su garantía **PX2** para herramientas eléctricas consta de las siguientes características:

- Cubre los productos durante **2 años** a partir de la fecha de compra contra cualquier defecto en su funcionamiento, por fallas en los materiales o mano de obra empleada en su fabricación.
- Ofrece **2 años** de servicio de mantenimiento y mano de obra gratuita para cambio de consumibles.
- Otorga un periodo de prueba de **2 meses** donde puede canjear la herramienta por una de mayor capacidad si el rendimiento no cumple con su requerimiento, abonando la diferencia del precio.
- Todos los atributos ofrecidos por la garantía son válidos presentando la factura de compra original.

2. Para el servicio de garantía, por favor póngase en contacto con el Centro de Servicio Autorizado, Presente la tarjeta de garantía y la factura original para el servicio de garantía.

3. La presente Garantía NO aplica en:

- Daños por transporte después de las ventas.
- Servicios no proporcionados por nuestros centros de servicio autorizado.
- Accesorios y piezas de repuesto, si los hay, incluidos en el embalaje (Paquete).
- El daño producido por el uso comercial o industrial, ya que este producto es pensado solo para uso en Hágalo usted mismo (DIY).

EC DECLARACIÓN DE CONFORMIDAD

Declaramos que la máquina descrita a continuación cumple con las Directrices básicas de seguridad pertinentes, tanto en su diseño básico como en su construcción, así como en la versión puesta en circulación por nosotros. Esta declaración dejará de ser válida si la máquina se modifica sin nuestra previa aprobación.

Producto: Limpiador de alta presión

Modelo Tipo: PRO-H1400

Método aplicado de evaluación de conformidad

2000/14/EC: Apéndice V

Nivel de potencia acústica: dB(A)

Nivel mesurado: 88 dB(A)



www.promakertools.com